

Installation manual

Washer extractor

WB6–13, WB6–18
Compass Pro
Type W3...



Electrolux
PROFESSIONAL

Contents

Contents

1	Safety Precautions	5
1.1	General safety information.....	6
1.2	Commercial use only.....	6
1.3	Copyright	6
1.4	Symbols.....	6
2	Warranty terms and exclusions.....	7
3	Technical data.....	8
3.1	Drawing	8
3.2	Barrier partition.....	9
3.3	Technical data	10
3.4	Connections	10
4	Setup	11
4.1	Unpacking.....	11
4.2	Unpacking for machines delivered on a base	12
4.3	Recycling instruction for packaging	16
4.4	Siting	17
4.5	Mechanical installation	18
5	Water connection	19
6	Connection of external dosing systems	20
6.1	Connection of the hoses.....	20
6.2	Electrical connection of external dosing system.....	20
6.2.1	Machine with connectors.....	21
6.2.2	Machine without connectors.....	22
6.2.3	Outputs	23
6.2.4	Inputs.....	24
7	Drain connection	25
8	Electrical connection.....	26
8.1	Electrical installation	26
8.2	Electrical connections	26
8.3	Machine connection	27
8.3.1	Single-phase connection.....	27
8.3.2	Three-phase connection	27
8.4	Functions for I/O-cards.....	28
8.4.1	Outputs for detergent signals and inputs for pause signals, "empty" signal (2D).....	28
9	Steam connection	29
10	At first power up	31
10.1	Select language.....	31
10.2	Set time and date.....	31
11	Function check.....	32
12	Disposal information	33
12.1	Disposal of appliance at end of life	33
12.2	Disposal of packing.....	33

The manufacturer reserves the right to make changes to design and component specifications.

1 Safety Precautions

- Servicing shall be carried out only by authorized personnel.
- Only authorized spare parts, accessories and consumables shall be used.
- Only use detergent intended for water-wash of textiles. Never use dry cleaning agents.
- The machine shall be connected with new water hoses. Re-used water hoses must not be used.
- The machine's door lock must under no circumstances be bypassed.
- If the machine develops a fault, this must be reported to the person in charge as soon as possible. This is important both for your safety and that of others.
- DO NOT MODIFY THIS APPLIANCE.
- When performing service or replacing parts, the power must be disconnected.
- When the power is disconnected, the operator must see that the machine is disconnected (that the plug is removed and remains removed) from any point to which he has access. If this is not possible, due to the construction or installation of the machine, a disconnection with a locking system in the isolated position shall be provided.
- In accordance with the wiring rules: mount a multi-pole switch prior to the machine to facilitate installation and service operations.
- If different rated voltages or different rated frequencies (separated by a /) are stated at the machine data plate, instructions for adjusting the appliance for operation at the required rated voltage or rated frequency are stated in the installation manual.
- Stationary appliances not fitted with means for disconnection from the supply mains having a contact separation in all poles that provide full disconnection under overvoltage category III, means for disconnection must be incorporated in the fixed wiring in accordance with the wiring rules.
- The openings in the base, shall not be obstructed by a carpet.
- Maximum mass of dry cloth: WB6–13: 14 kg, WB6–18: 20 kg.
- A-weighted emission sound pressure level at working stations:
 - Wash: WB6–13: <70 dB(A), WB6–18: <70 dB(A).
 - Extraction: WB6–13: <70 dB(A), WB6–18: <70 dB(A).
- Maximum inlet water pressure: 1000 kPa
- Minimum inlet water pressure: 50 kPa
- Additional requirements for the following countries; AT, BE, BG, HR, CY, CZ, DK, EE, FI, FR, DE, GR, HU, IS, IE, IT, LV, LT, LU, MT, NL, NO, PL, PT, RO, SK, SI, ES, SE, CH, TR, UK:
 - This appliance shall not be installed where the public has access.
- Additional requirements for other countries:
 - This appliance is not intended for use by persons (including children) with reduced physical, sensory or mental capabilities, or lack of experience and knowledge, unless they have been given supervision or instruction concerning use of the appliance by a person responsible for their safety. Children should be supervised to ensure that they do not play with the appliance.
 - This appliance is intended to be used in household and similar applications such as: (IEC 60335-2-7) staff kitchen areas in shops, offices and other working environments, farm houses, by clients in hotels, motels and other residential type

environments, bed and breakfast type environments, areas for communal use in blocks of flats or in launderettes.

1.1 General safety information

The machine is only intended for water-wash use.

Do not hose down the machine with water.

In order to prevent damage to the electronics (and other parts) that may occur as the result of condensation, the machine should be placed in room temperature for 24 hours before being used for the first time.




1.2 Commercial use only

The machine/machines covered by this manual is/are made for commercial and industrial use only.

1.3 Copyright

This manual is intended solely for consultation by the operator and can only be given to third parties with the permission of Electrolux Professional AB company.

1.4 Symbols

	Caution
	Caution, high voltage
	Read the instructions before using the machine

2 Warranty terms and exclusions

If the purchase of this product includes warranty coverage, warranty is provided in line with local regulations and subject to the product being installed and used for the purposes as designed, and as described within the appropriate equipment documentation.

Warranty will be applicable where the customer has used only genuine spare parts and has performed maintenance in accordance with Electrolux Professional user and maintenance documentation made available in paper or electronic format.

Electrolux Professional strongly recommends using Electrolux Professional approved cleaning, rinse and descaling agents to obtain optimal results and maintain product efficiency over time.

The Electrolux Professional warranty does not cover:

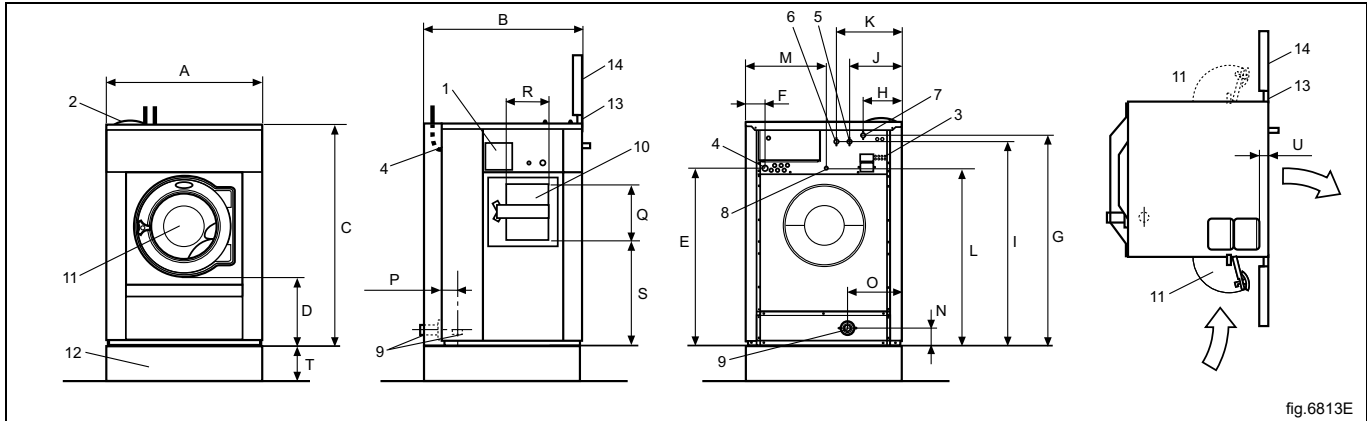
- service trips cost to deliver and pick up the product;
- installation;
- training on how to use/operate;
- replacement (and/or supply) of wear and tear parts unless resulting from defects in materials or workmanship reported within one (1) week from the failure;
- correction of external wiring;
- correction of unauthorized repairs as well as any damages, failures and inefficiencies caused by and/or resulting from:
 - insufficient and/or abnormal capacity of the electrical systems (current/voltage/frequency, including spikes and/or outages);
 - inadequate or interrupted water supply, steam, air, gas (including impurities and/or other that does not comply with the technical requirements for each appliance);
 - plumbing parts, components or consumable cleaning products that are not approved by the manufacturer;
 - customer's negligence, misuse, abuse and/or non-compliance with the use and care instructions detailed within the appropriate equipment documentation;
 - improper or poor: installation, repair, maintenance (including tampering, modifications and repairs carried out by third parties not authorized third parties) and modification of safety systems;
 - Use of non-original components (e.g.: consumables, wear and tear, or spare parts);
 - environment conditions provoking thermal (e.g. overheating/freezing) or chemical (e.g. corrosion/oxidation) stress;
 - foreign objects placed in- or connected to- the product;
 - accidents or force majeure;
 - transportation and handling, including scratches, dents, chips, and/or other damage to the finish of the product, unless such damage results from defects in materials or workmanship and is reported within one (1) week of delivery unless otherwise agreed;
- product with original serial numbers that have been removed, altered or cannot be readily determined;
- replacement of light bulbs, filters or any consumable parts;
- any accessories and software not approved or specified by Electrolux Professional.

Warranty does not include scheduled maintenance activities (including the parts required for it) or the supply of cleaning agents unless specifically covered within any local agreement, subject to local terms and conditions.

Check on Electrolux Professional website the list of authorized customer care.

3 Technical data

3.1 Drawing



1	Operating panel
2	Detergent container
3	Liquid detergent supply
4	Electrical connection
5	Cold water
6	Hot water
7	Cold/hot water
8	Steam connection
9	Drain
10	Door opening, loading side: WB6-13: 280 x 280 mm, WB6-18: 320 x 280 mm
11	Door opening, unloading side: WB6-13: \varnothing 395 mm, WB6-18: \varnothing 435 mm
12	Plinth
13	Barrier frame
14	Barrier partition

mm	A	B	C	D	E	F	G	H
WB6-13	910	875	1325	435	1045	160	1245	215
WB6-18	970	975	1410	470	1130	150	1330	230

mm	I	J	K	L	M	N	O	P
WB6-13	1225	300	380	1045	455	105	305	45
WB6-18	1290	315	395	1130	485	110	335	45

mm	Q	R	S	T	U
WB6-13	390	345	575	285	100
WB6-18	390	385	610	200	100

3.2 Barrier partition

The barrier partition (3) shall be built before the installation of the machine.

Centre and align the machine with the barrier partition (3).

Mount the rubber seal (2) in the aluminium section (1).

Fasten the aluminium section (1) with screws in the barrier partition (3).

If machines are to be installed in an existing wall thicker than 100 mm please contact authorized service personnel.

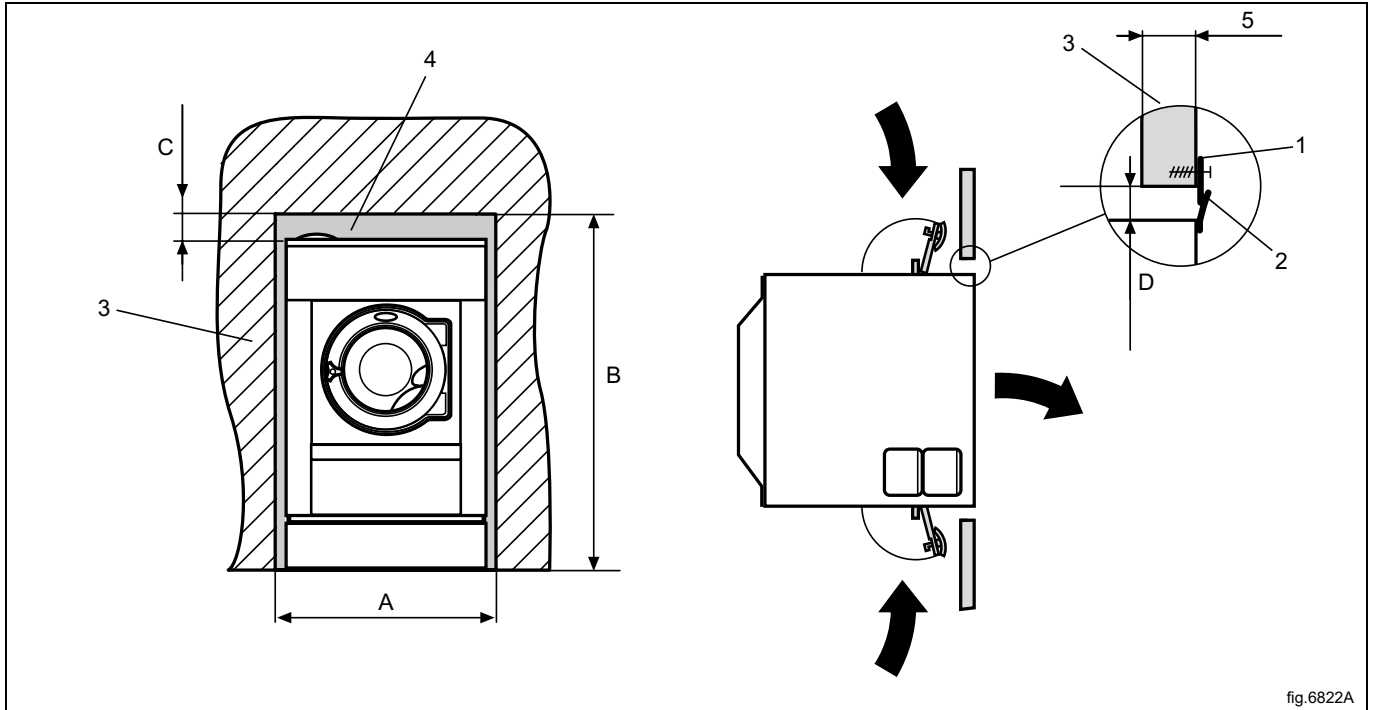


fig.6822A

1	Aluminium section
2	Rubber seal
3	Barrier partition
4	Removable barrier partition
5	Minimum 70 mm, maximum 100 mm

mm	A	B	C	D
WB6-13	990	1650	150	40
WB6-18	1050	1650	150	40

3.3 Technical data

		WB6-13	WB6-18
Weight, net	kg	296	356
Drum volume	litres	130	180
Drum diameter	mm	650	725
Drum speed during wash	rpm	49	44
Drum speed during extraction	rpm	910	860
G-factor, max.		300	300
Heating: Electricity	kW	13	18
Heating: Steam		x	x
Heating: Hot water		x	x
Frequency of the dynamic force	Hz	15.2	14.3
Floor load at max extraction	kN	3.4±0.5	2.9±1.0
A-weighted emission sound pressure level at working stations (Wash)	dB(A)	<70	<70
A-weighted emission sound pressure level at working stations (Extraction)	dB(A)	79	85
Heat emission of installed power, max	%	5	5

3.4 Connections

		WB6-13	WB6-18
Water valves	DN BSP	20 3/4"	20 3/4"
Recommended water pressure	kPa	200–600	200–600
Continuous operating pressure	kPa	50–800	50–800
Capacity at 300 kPa	l/min	20	60
Drain valve ø outer	mm	75	75
Draining capacity	l/min	170	170
Steam valve connection	DN BSP	15 1/2"	15 1/2"
Recommended steam pressure	kPa	300–600	300–600
Functioning limits for steam valve	kPa	50–800	50–800

4 Setup

4.1 Unpacking

Note!

Two persons are recommended for the unpacking.

Remove the side panels.

Remove the transport supports. Save the transport supports if the machine needs to be moved in the future.

Note!

Once the transport supports have been removed, handle the machine carefully to avoid damage to the suspension components.

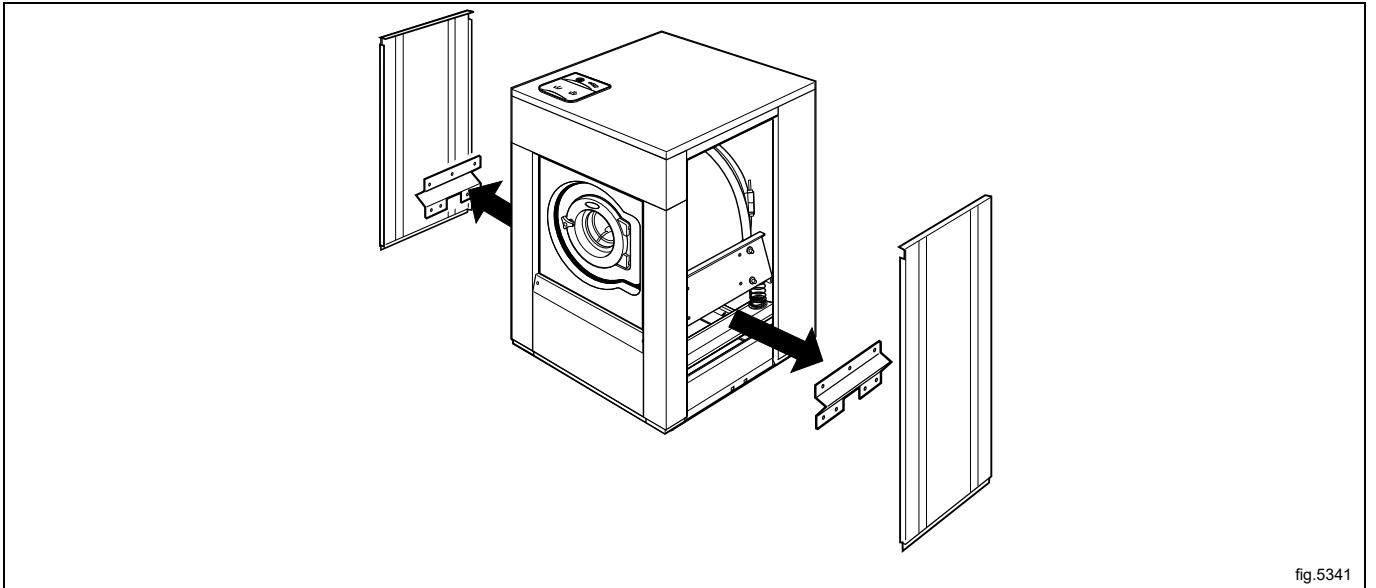


fig.5341

Remove the front and rear panel.

Remove the bolts between the machine and pallet. There is one to the right in the front of the machine and another diagonally opposed to it, at the back of the machine.

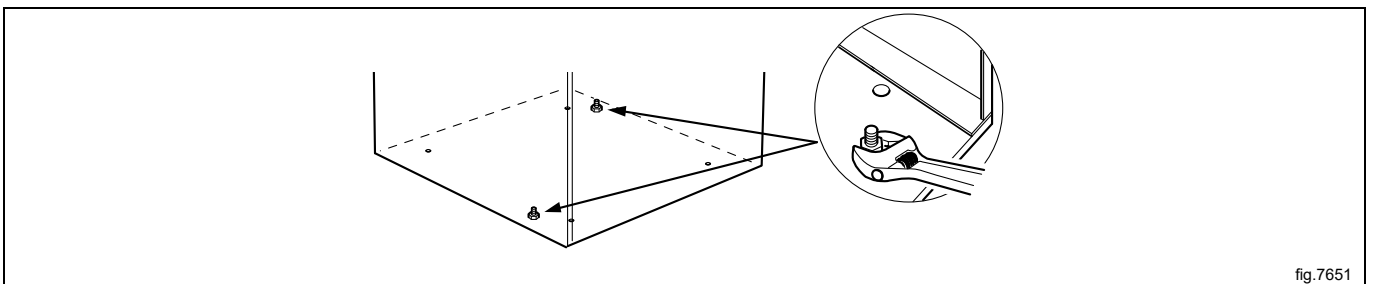


fig.7651

Remove the machine from the pallet.

Note!

When moving the machine, handle it with care.

Place the machine on its final position.

Mount the supporting feet.

Remount the panels.

4.2 Unpacking for machines delivered on a base

The machine is delivered complete with expander bolts, supporting feet etc.

The machine is delivered bolted onto the transport pallet and packed in a crate or box.

The machine is also delivered with cover panels that shall be used when the machine is delivered on a base.

The cover panels and all additional equipment are placed at the rear of the machine (A).

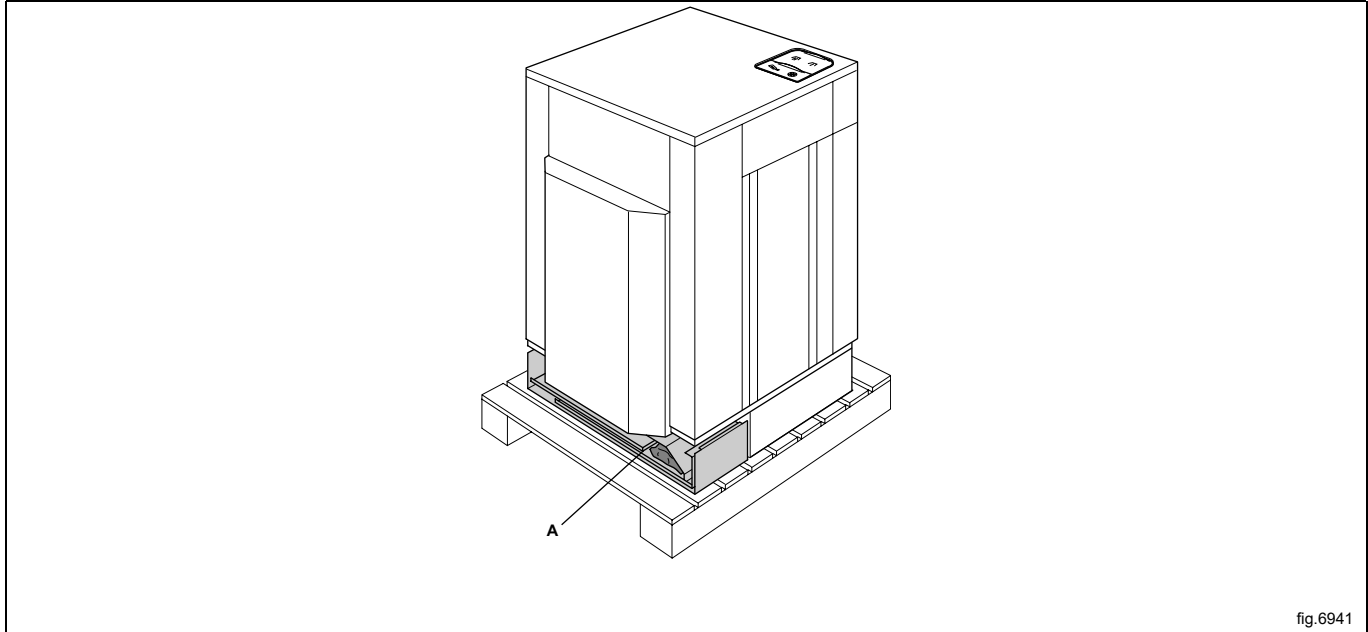


fig.6941

Remove packing from the machine.

Remove the cover panels and the additional equipment from the rear of the machine.

Note!

Be careful when removing the cover panels so they do not get scratched.

Remove the side panels.

Remove the transport securities. Save the transport securities if the machine needs to be moved in the future.

Note!

Once the transport securities have been removed, handle the machine carefully to avoid damage to the suspension components.

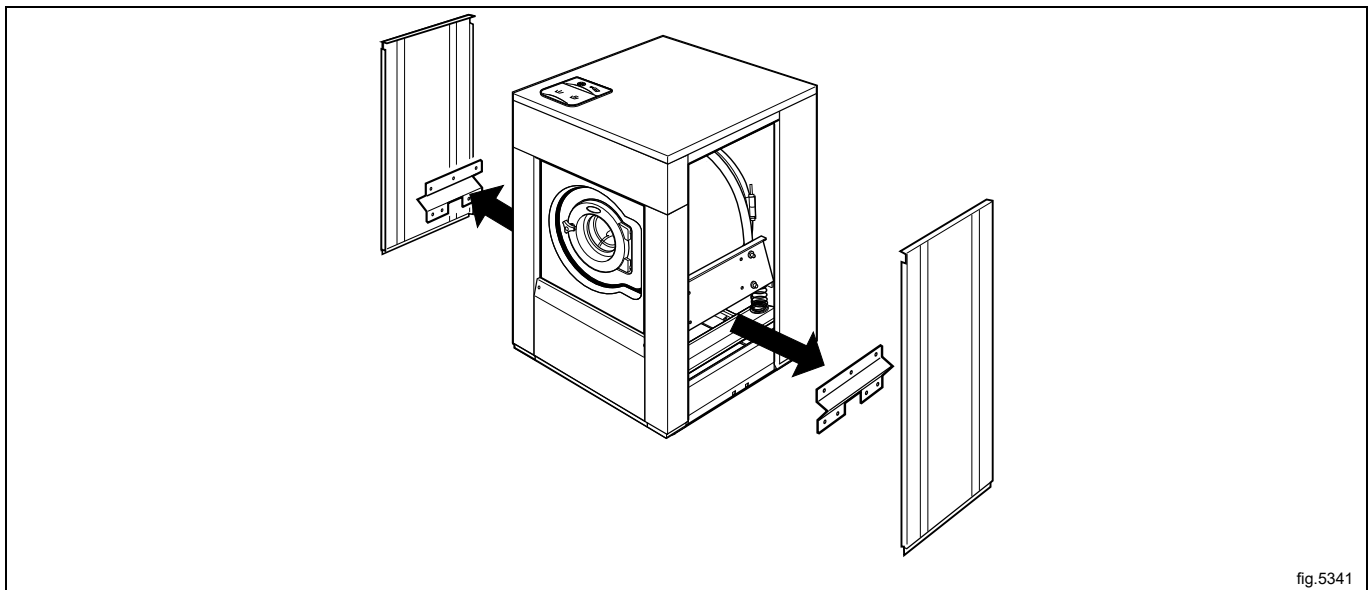
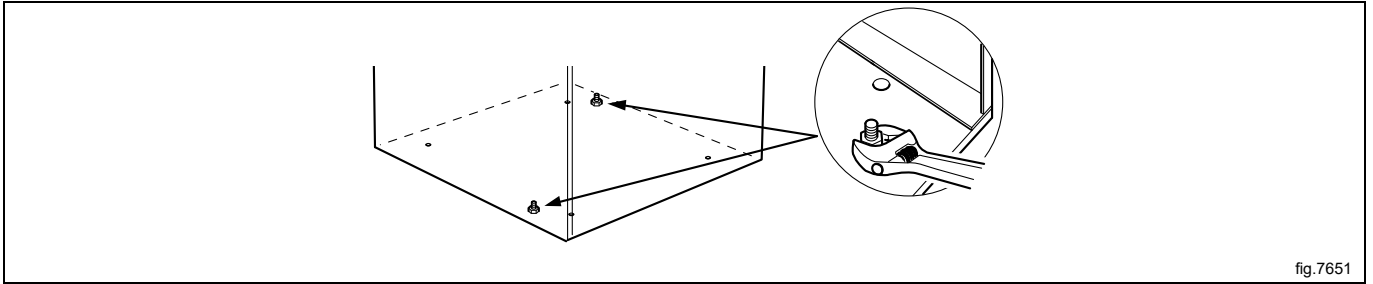


fig.5341

Remove the front and rear panel.

Remove the bolts between the machine and pallet. There is one to the right in the front of the machine and another diagonally opposed to it, at the back of the machine.



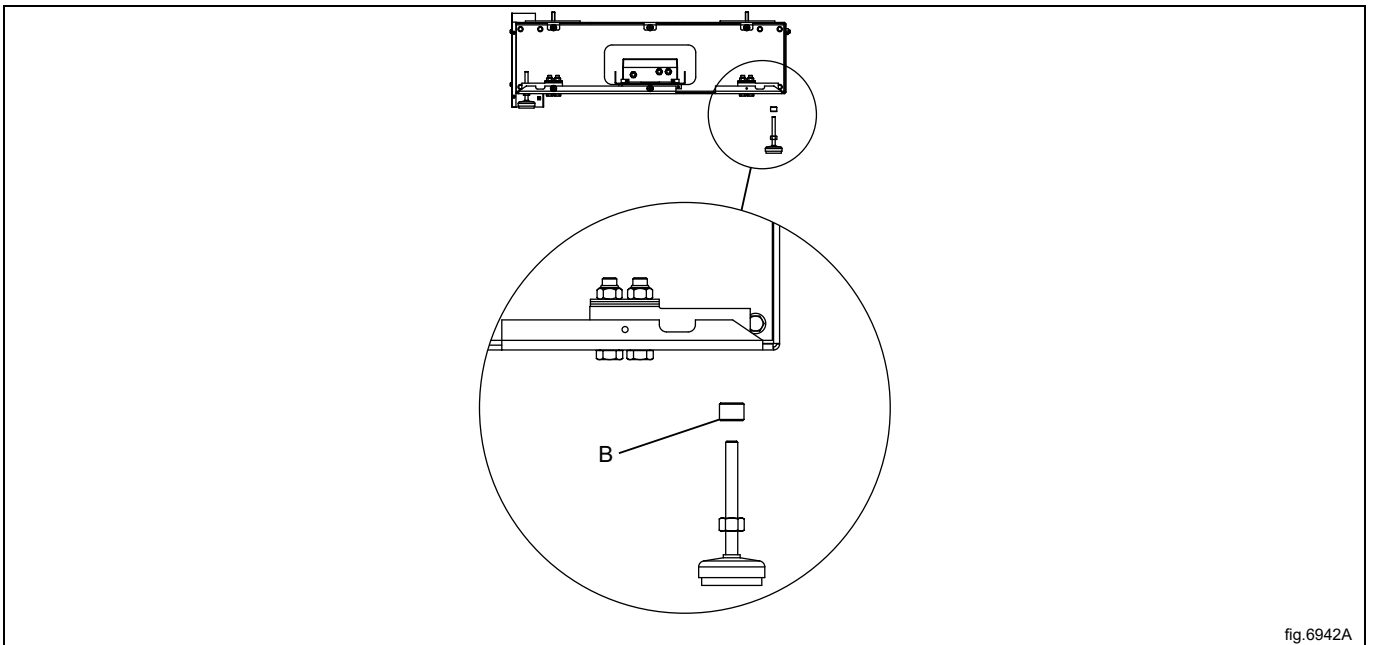
Mount the supporting feet.

If the machine is equipped with load cells:

Note the threaded holes for the feet.

The feet shall be mounted in the holes on the load sensor bridge.

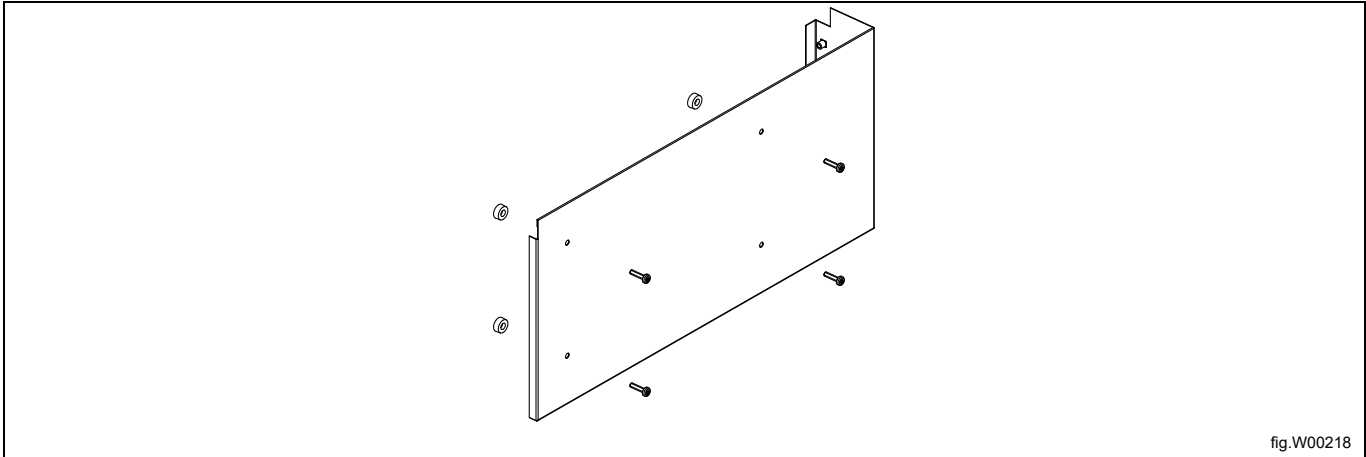
B = Spacer



Lift the machine and remove the transport pallet.

Mount the cover panels

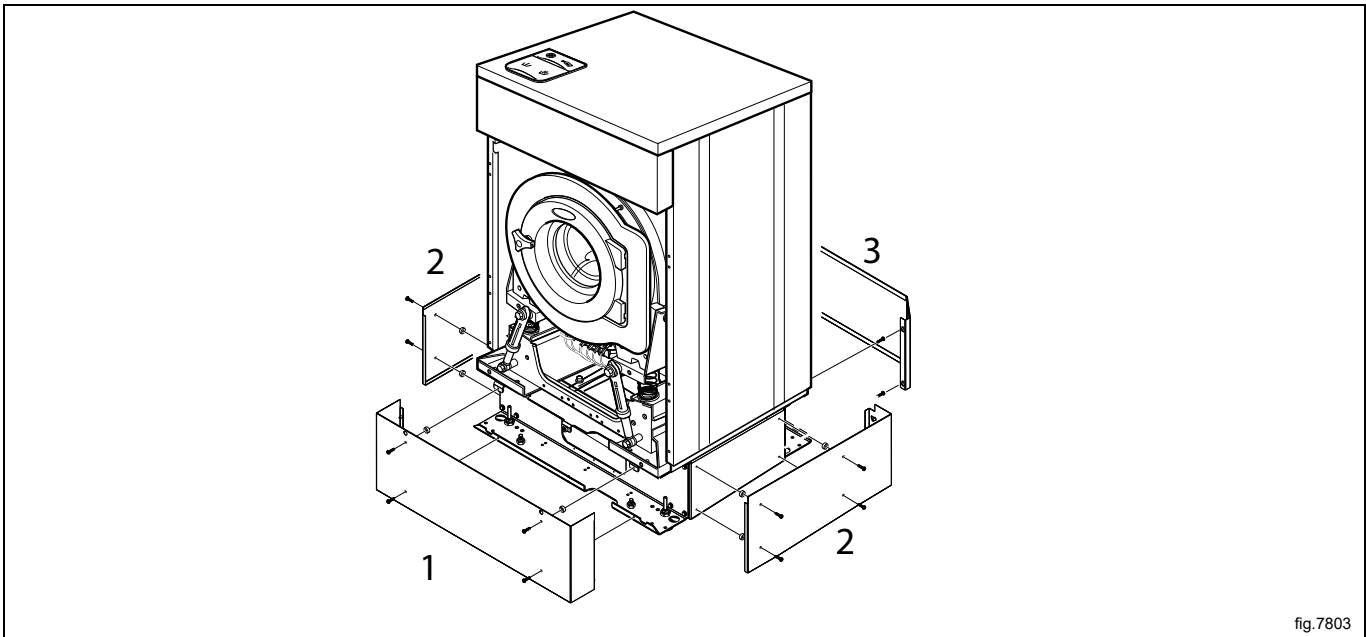
Mount the screws and the plastic rings (delivered in a plastic bag) on the panels before mounting them on the machine.



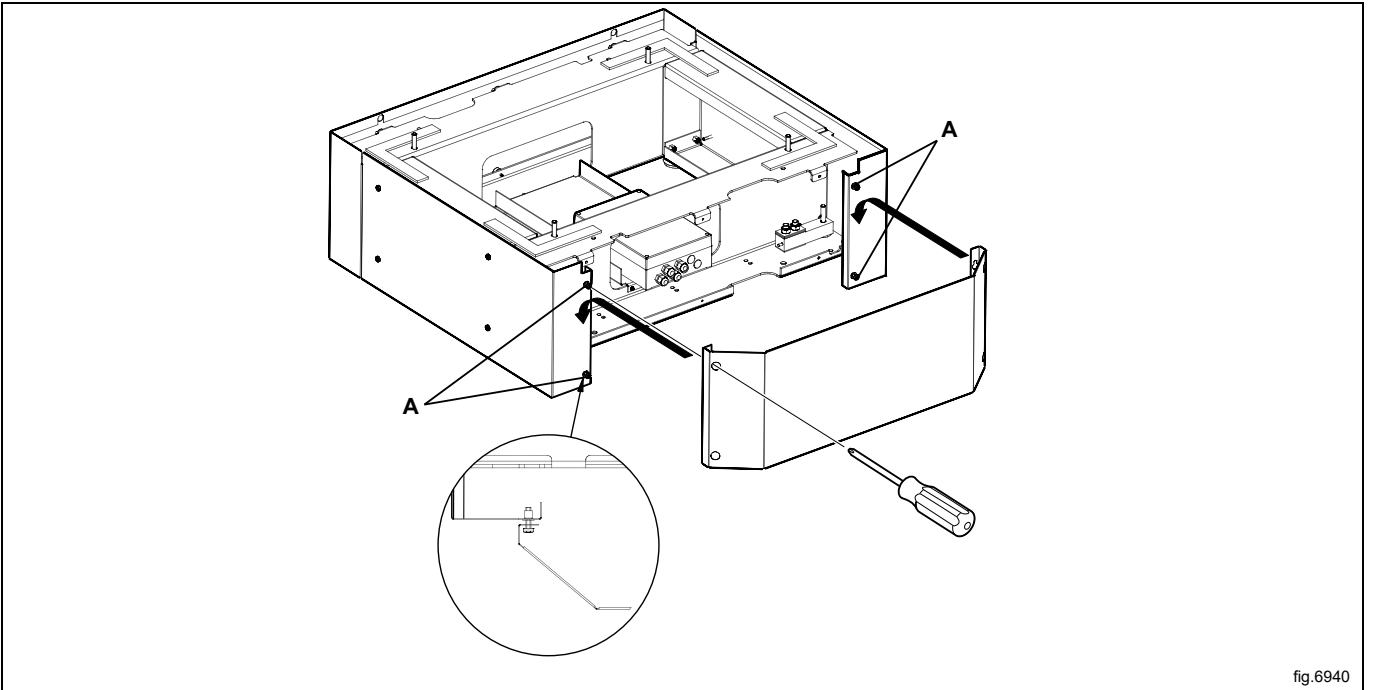
The screws on the side panels (A) shall not be tightened all the way in.

Make sure the machine is in level before mounting the front cover panel.

Place the front cover panel on its position and fasten it, then the side cover panels and finally the rear cover panel.



The holes on the rear cover panel shall be placed on the screws (A) on the side cover panels and downwards in the holes. Tighten the screws.



Place the machine on its final position.

4.3 Recycling instruction for packaging

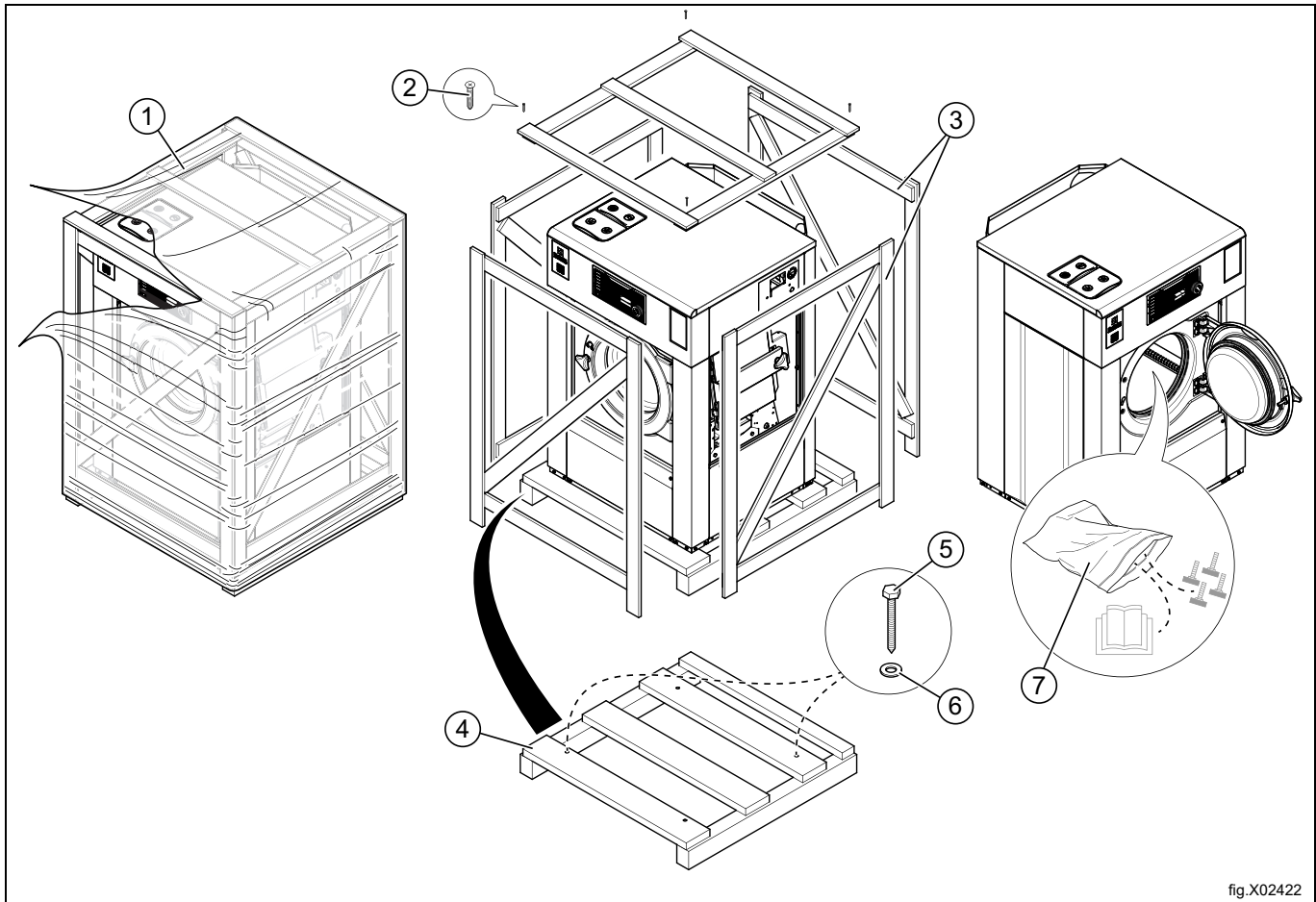


fig.X02422

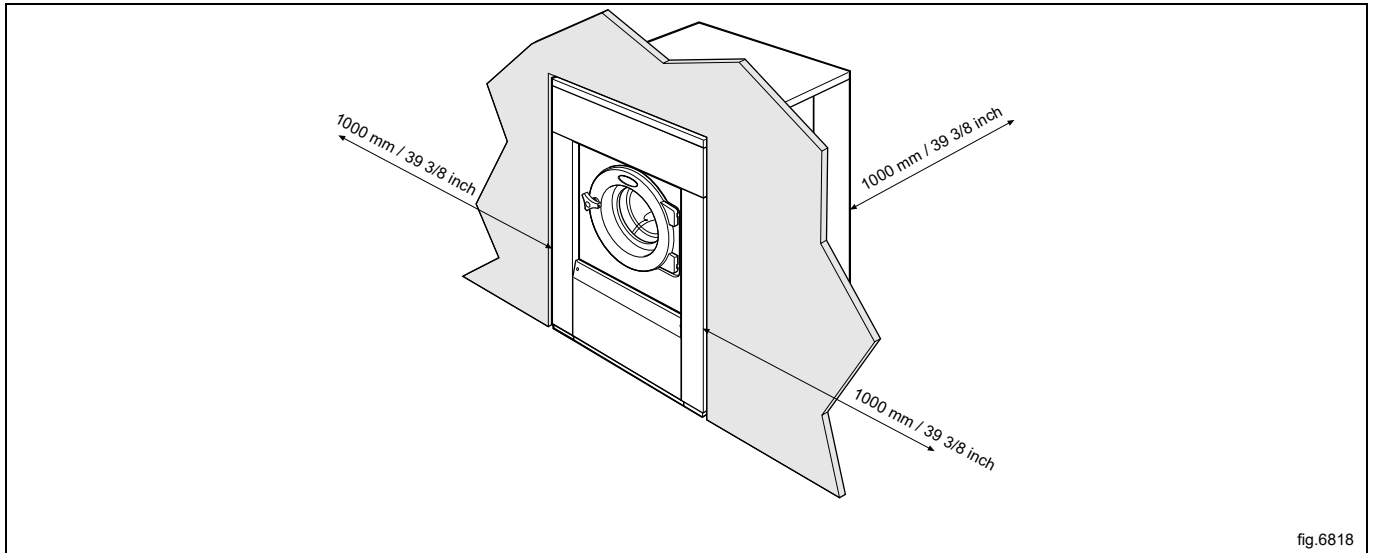
Fig.	Description	Code	Type
1	Wrapping film	LDPE 4	Plastics
2	Screw	FE 40	Steel
3	Packaging	FOR 50	Wood
4	Pallet	FOR 50	Wood
5	Screw	FE 40	Steel
6	Washer	FE 40	Steel
7	Plastic bag	PET 1	Plastics

4.4 Siting

Install the machine close to a floor drain or open drain.

We strongly recommend to drain under the machine for hygiene and safety reasons. Make sure the drain connection is tight. Otherwise the warm steam from the drainage water can damage the components

The machine should be positioned so that there is plenty of room for working, both for the user and service personnel. The figure shows minimum distance to a wall and/or other machines.



4.5 Mechanical installation

If the machine is not to be mounted on a base the machine must be fastened to the floor.
The table shows the correct drilling points.

Mark and drill two holes (\varnothing 10 mm) about 50 mm deep in the positions shown.

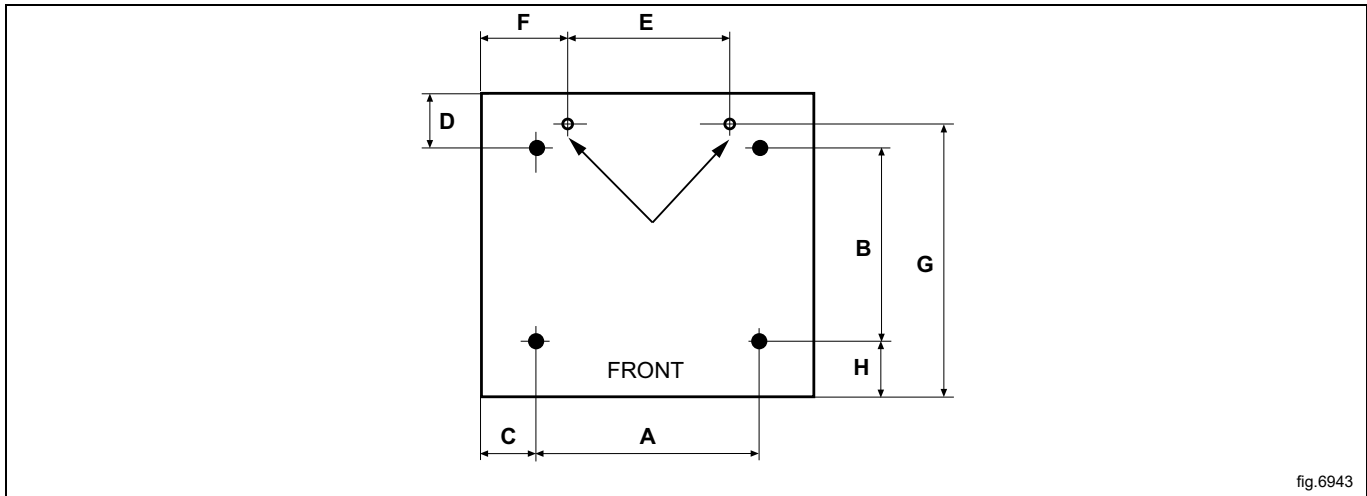


fig.6943

mm	A	B	C	D	E	F	G	H
WB6-13								
Standard	730	515	90	260	515	195	680	110
Machine with AS	815	515	50	260	515	195	680	110
Machine without base	640	490	140	275	515	195	725	120
WB6-18								
Standard	790	575	90	290	595	185	730	110
Machine with AS	875	575	50	290	595	185	730	110
Machine without base	715	545	125	300	595	185	810	120

Place the machine over the two drilled holes.

Level the machine with the feet of the machine. Screw in the feet as much as possible before starting to level the machine. This will make the machine stand steadier.

Insert the expansion bolts supplied into the holes drilled in the floor. Fit the washers and nuts and tighten well.



It is of the utmost importance that the machine is placed in level, from side to side as well as front to rear. If the machine is not properly levelled, it may result in out-of-balance without a real out of balance in the drum.

5 Water connection

All water intake connections to the machine should be fitted with manual shut-off valves and filters, to facilitate installation and servicing.

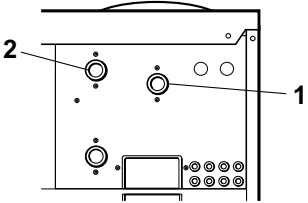
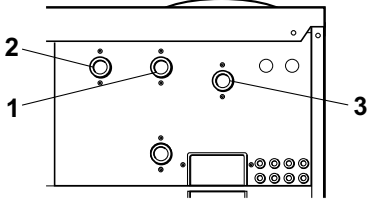
Water pipes and hoses should be flushed clean before installation.

The machine shall be connected with new water hoses. Re-used water hoses must not be used.

Hoses are to be of an approved type and grade and comply with IEC 61770.

After installation hoses must hang in gentle arcs.

All connectors present on the machine must be connected. The table shows the possible connection options, which will depend on the water types to be connected to the machine. Information is also available on the panel above the connections.

	Water type	Water connection
	WB6-13 • Cold and hot	WB6-13 1. Cold 2. Hot
	WB6-18 • Cold and hot	WB6-18 1. Cold 2. Hot 3. Cold (for detergent container) / Hot

There is also an extra water valve which can be used for hard water if soft water is connected to 1.

This valve can also be used for water re-use from tank.

If pump is used, it is only a water connection without valve.

Water pressure:

Continuous operating pressure: 50–800 kPa (0.5-80 kp/cm²)

Maximum: 1000 kPa (10 kp/cm²)

Recommended: 200–600 kPa (2–6 kp/cm²)

Note!

If the water pressure is below the minimum value, the wash result can not be guaranteed for certain program.

For WRAS-approved machines; always check connection requirements on WRAS website.

For KIWA-approved machines; always check connection requirements on KIWA website.

For NSF-approved machines; always check connection requirements on NSF website.

6 Connection of external dosing systems

6.1 Connection of the hoses

The machine is prepared for connection of external dosing systems or water re-use systems etc.

The connections are closed at delivery. Open any of the connections that shall be used by drilling a hole where the hoses shall be connected.

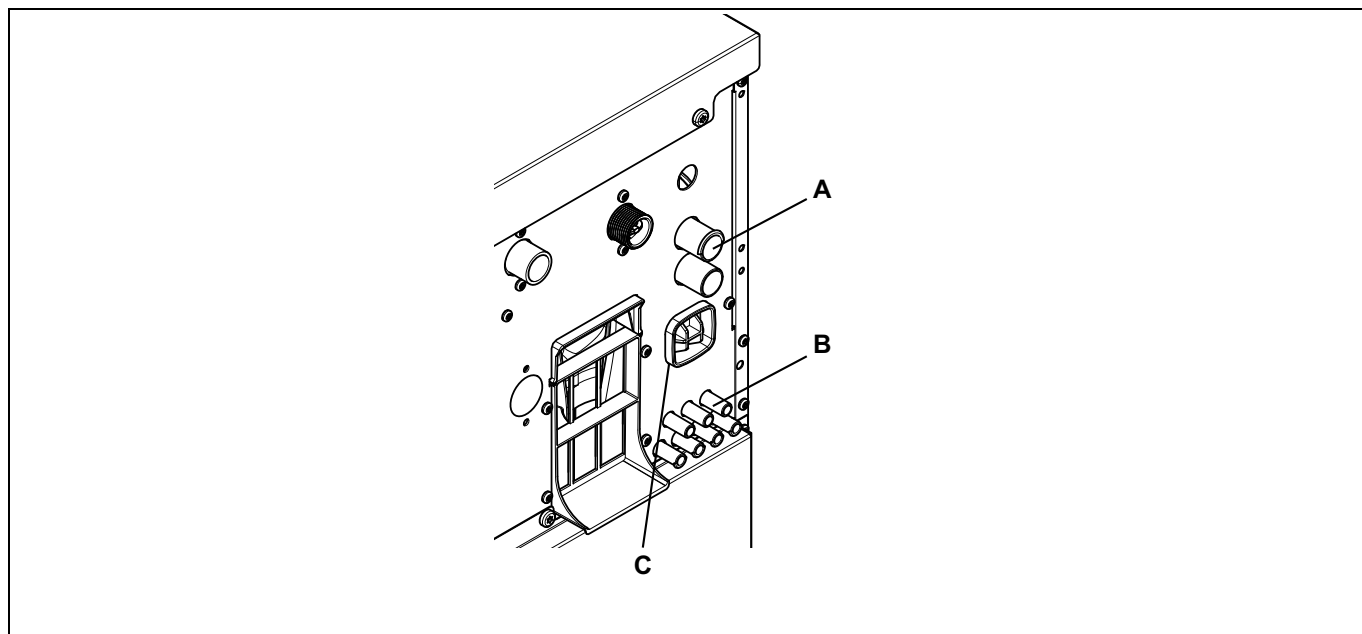
Note!

Make sure there is no burrs left after drilling. When removing burrs make sure burrs does not fall into the siphon breaker.

A = \varnothing 17 mm (used for external dosing systems or systems for re-use of water).

B = \varnothing 6 mm (used for external dosing systems only).

C = Only used for external liquid manifold. (Separate instructions enclosed when ordering).



Always connect hoses on connections A with a hose clamp.

For connections B; if the hoses are made of a soft material such as silicone or similar, use a cable tie to fasten the hose on the connection. If the hoses are made of a hard material, it is not recommended to make the connection tighter by using a cable tie.

Note!

Equipment for external dosing must only be connected to work on pump pressure and not on network pressure.

6.2 Electrical connection of external dosing system



The power supply to the external dosing system must never be connected to the machine's incoming terminal block or to the edge connectors on the I/O-board.

6.2.1 Machine with connectors

Connect the external dosing system to connections A and B on the machine.

Connect the signal cable to B and the power supply to A.

For Efficient dosing system the cables are delivered with the machine.

Connect the power supply cable to the machine A and the other end of the cable together with the cable from Efficient Dosing in a connection box or with plug and receptacle.

Connect one end of the cable to the Efficient Dosing Controller J2 and the other end to the machine B.

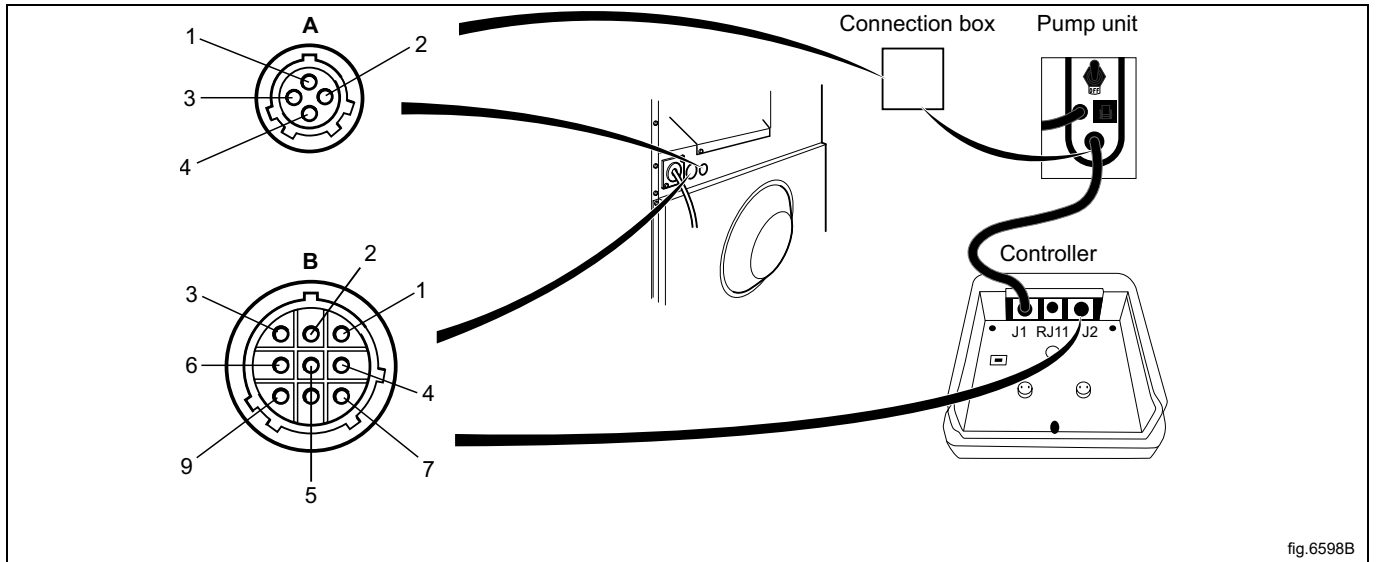


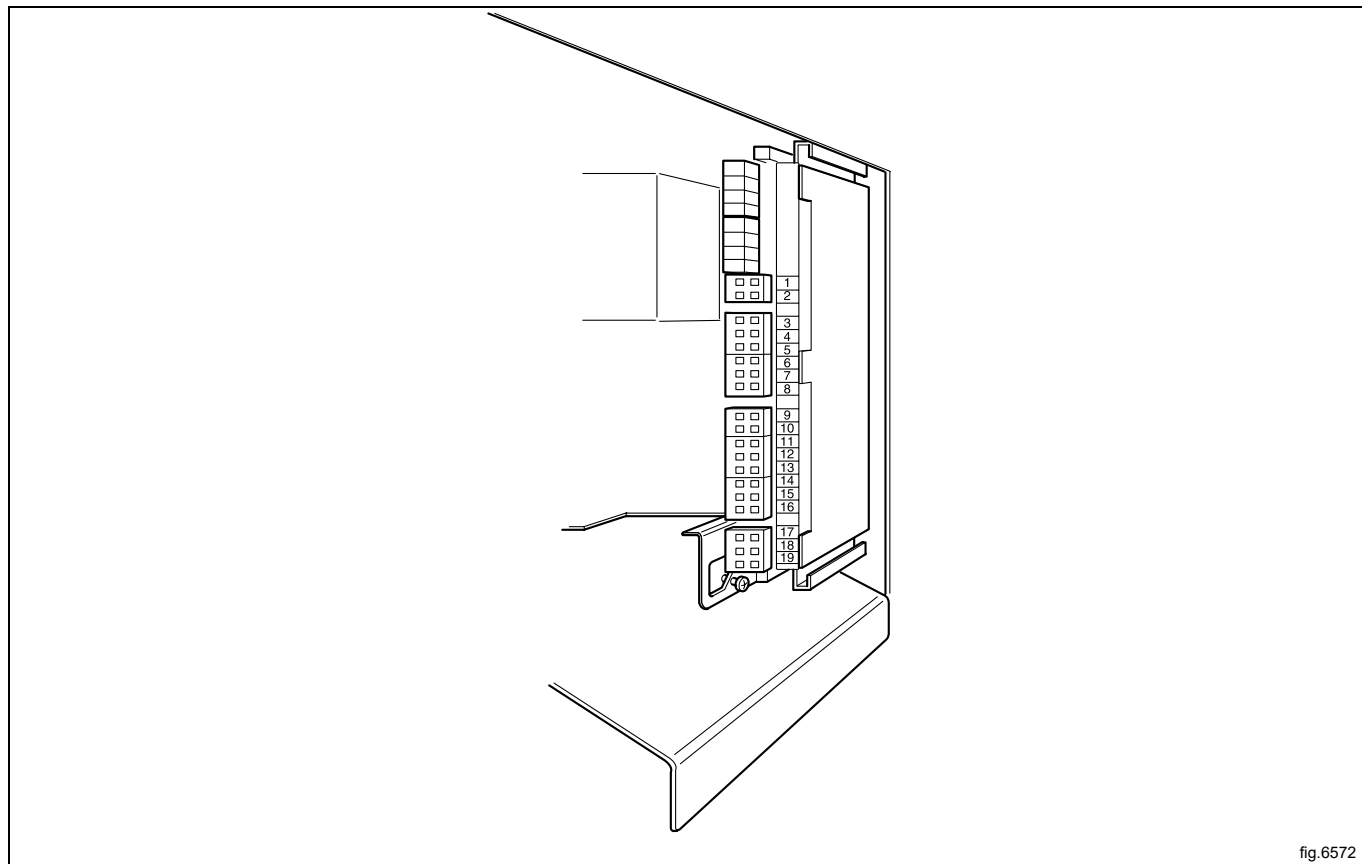
fig. 6598B

	A
1	Line
2	Neutral
3	
4	Ground

	B
1	Neutral
2	Program run
3	Gnd
4	Signal 2
5	Signal 3
6	Signal 4
7	Signal 5
8	Rx
9	Tx

6.2.2 Machine without connectors

Connect the external dosing system to the I/O board, which is located to the right of the incoming power supply. The I/O board has edge connectors for connecting external dosing systems. Edge connectors on the I/O board can be loosened for connecting cables.



- 11 = N
- 18 = Program run
- 12 = Signal 1
- 13 = Signal 2
- 14 = Signal 3
- 15 = Signal 4
- 16 = Signal 5

6.2.3 Outputs

Connect the power supply (e.g. 24V DC) for the external liquid supplies to 9 and 10. If an internal power supply (from the machine) is being used, it can be taken from 1 (N) and connected to 9 and from 2 (L) and connected to 10. Max load on the outputs 0.5 A.

Signals for external liquid supplies 1-5 are connected to 12-16 on the I/O board where connector:

- 12 = Signal 1
- 13 = Signal 2
- 14 = Signal 3
- 15 = Signal 4
- 16 = Signal 5

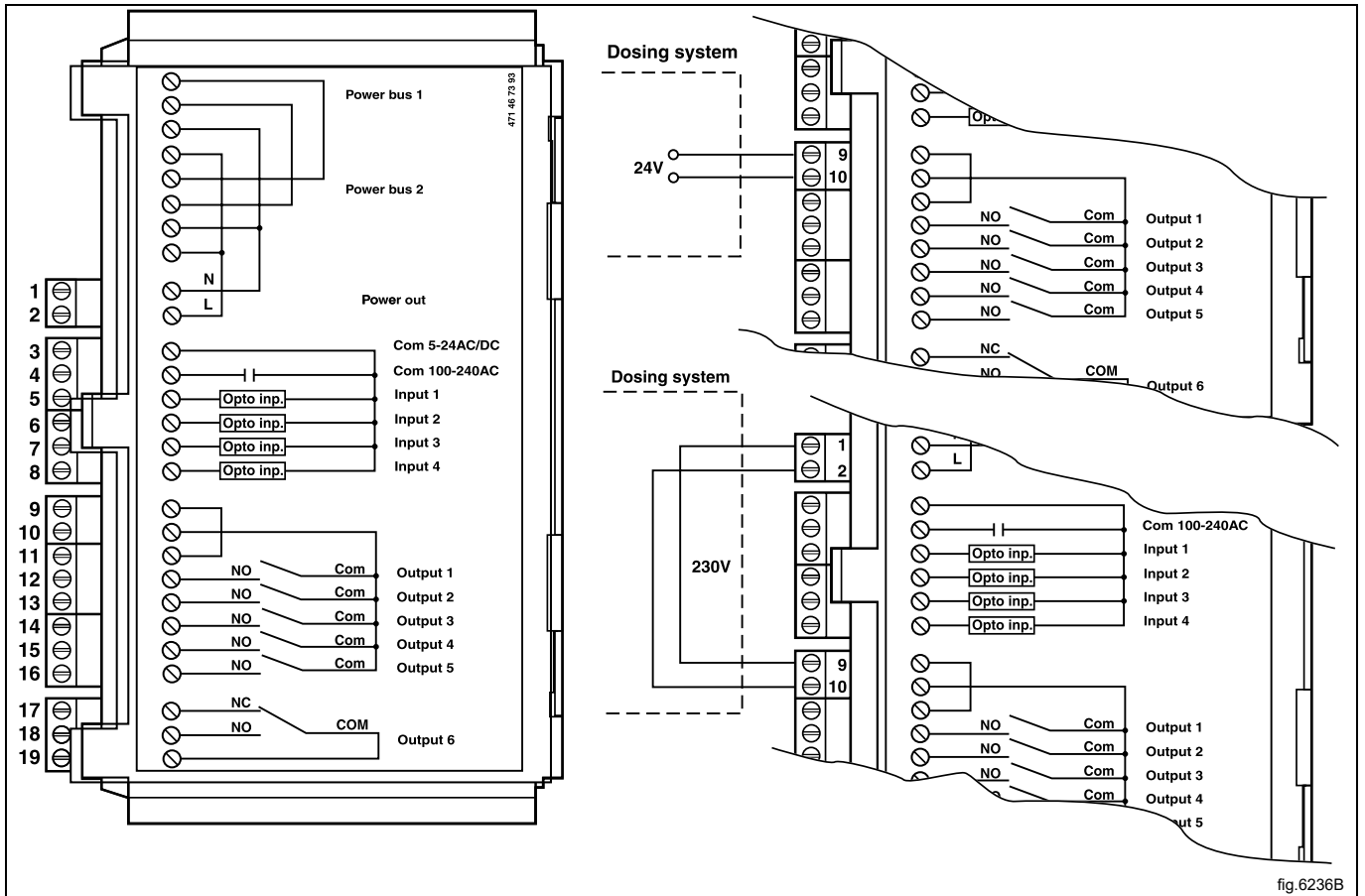


fig.6236B

Signals for external liquid supplies 6-10 are connected to the terminal block 6–10 located next to the I/O board where terminal:

- 6= Signal 6
- 7= Signal 7
- 8= Signal 8
- 9= Signal 9
- 10 = Signal 10

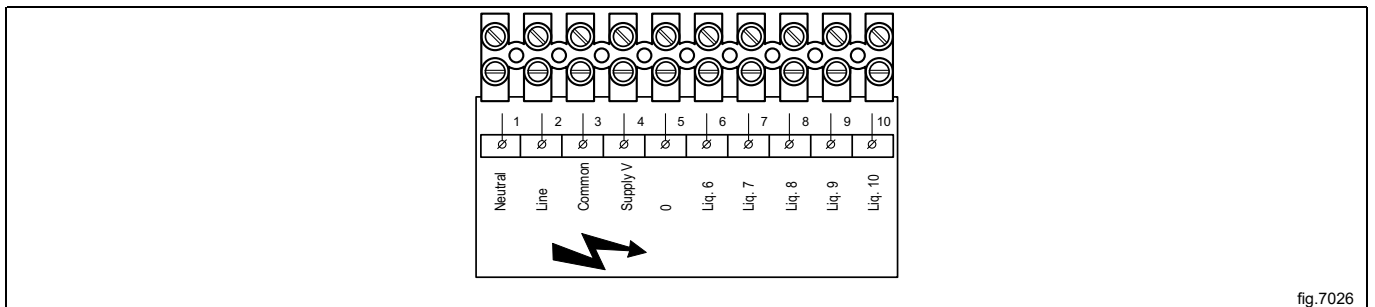


fig.7026

	6H
Compartment 1	Pre-wash
Compartment 2, 4	Main wash
Compartment 3	Last rinse
Signal 1	Pre-wash
Signal 2	Main wash
Signal 3	Softener, last rinse
Signal 5	Bleach, whitening

6.2.4 Inputs

The signal level can be 5-24V DC/AC or 100- 240V AC. For 5-24V, the signal reference is connected to 3 and for 100-240V to 4. Potentials on the inputs cannot be mixed.

Note!

The I/O board will be damaged if the voltage on connection 3 is too high > 24V.

Connection 8 may be connected if the program is to pause, e.g. while detergent is being dosed.

The figure shows an example of engaging a 24V pause signal. The program will pause for as long as the pause signal remains activated (high).

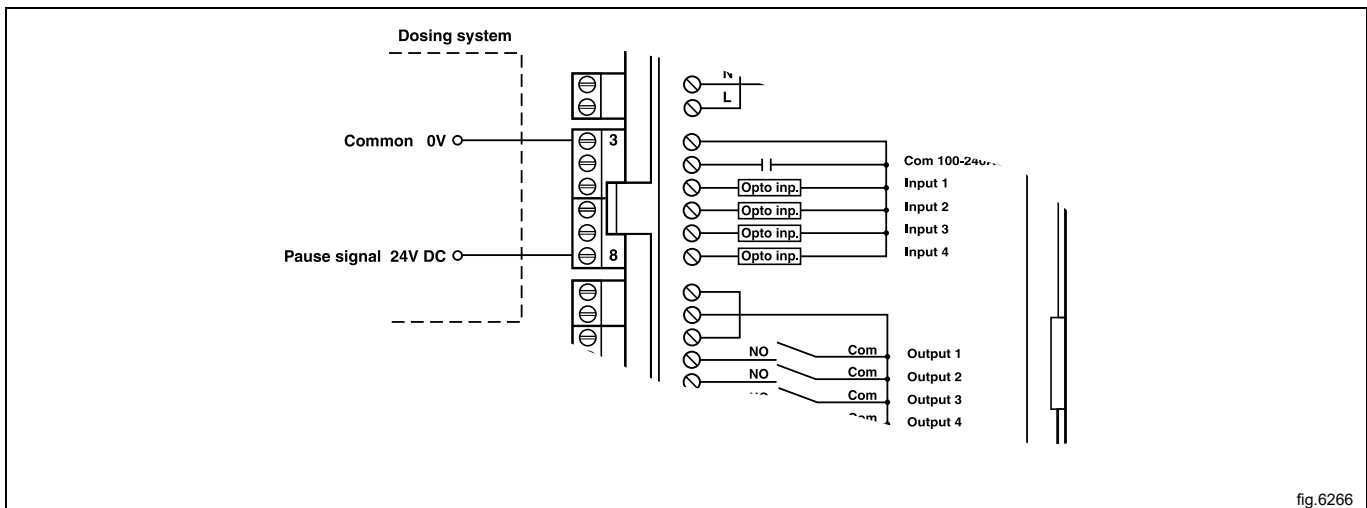


fig.6266

Connection 7. If this is connected, an error message will be displayed if any of the chemical tanks are empty. The program will continue, however.

The figure shows an example of engaging a normal open contact.

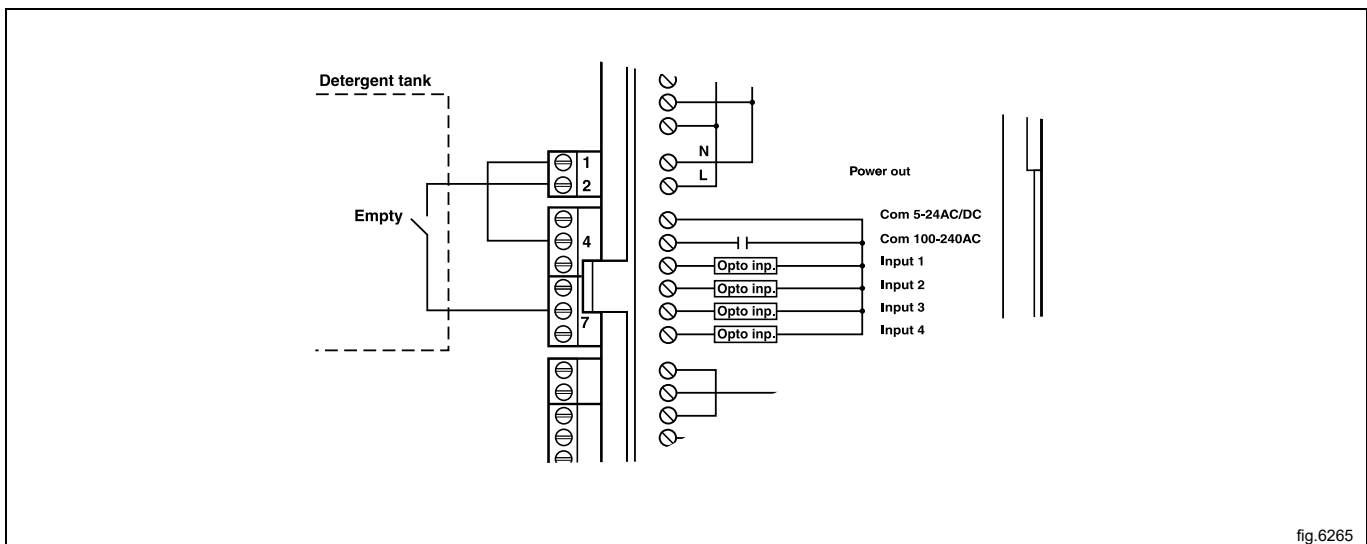


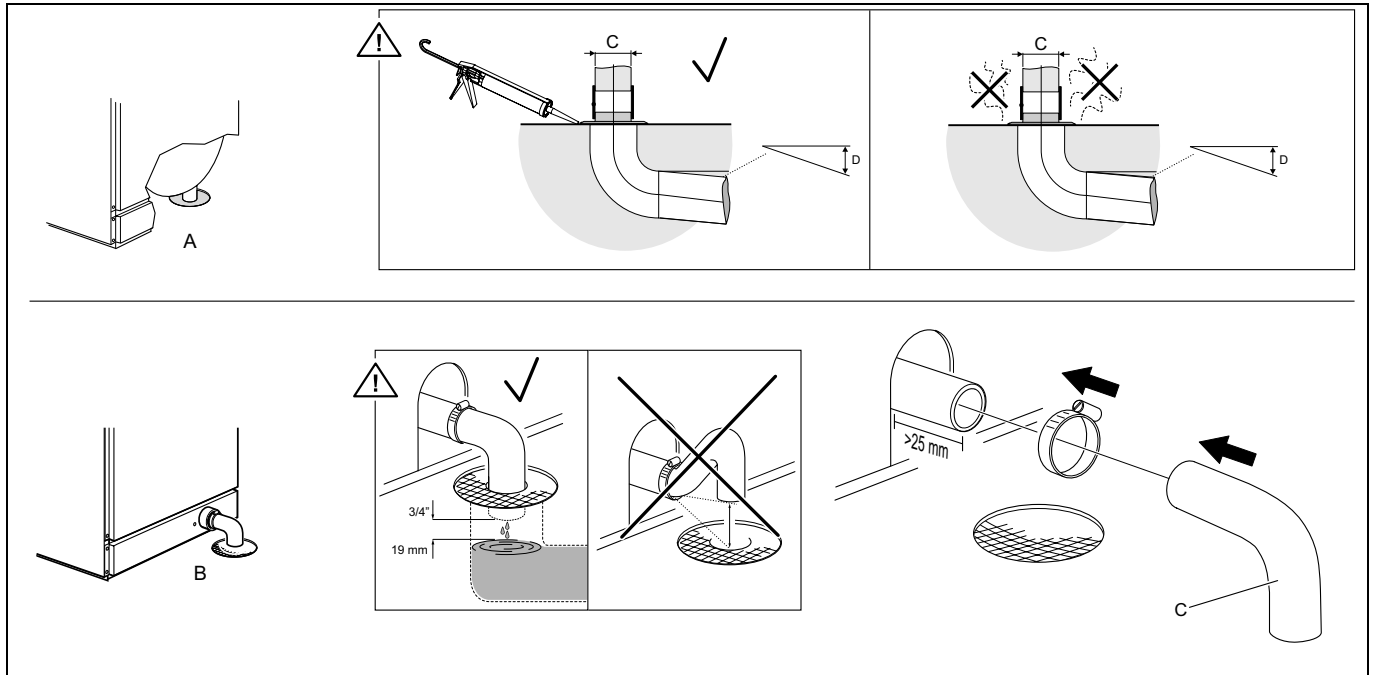
fig.6265

7 Drain connection

Connect a 75 mm pipe or rubber hose to the machine's drain pipe, ensuring a downward flow from the machine. Avoid sharp bends which may prevent proper draining.

Two ways of drain are available for the machines: Drain under the machine (A) or drain behind the machine (B).

A	Drain under the machine
B	Drain behind the machine
C	∅ 75 mm
D	≥ 1.7°



We strongly recommend to drain under the machine for hygiene and safety reasons. Make sure the drain connection is tight. Otherwise the warm steam from the drainage water can damage the components.

Parts for connecting the drain behind the machine are delivered inside the machine's drum.

8 Electrical connection

8.1 Electrical installation



The electrical installation may only be carried out by qualified personnel.



Machines with frequency-controlled motors can be incompatible with certain types of earth leakage circuit breaker. It is important to know that the machines are designed to provide a high level of personal safety, which is why items of external equipment such as earth leakage circuit breakers are not necessary but is recommended. If you still want to connect your machine across an earth leakage circuit breaker, please remember the following:

- contact a skilled, authorised installation company to ensure that the appropriate type of breaker is chosen and that the dimensioning is correct
- for maximum reliability, connect only one machine per earth leakage circuit breaker
- it is important that the earth wire is properly connected.

In instances where the machine is not equipped with an omni-polar switch, one must be installed beforehand.

In accordance with the wiring rules: mount a multi-pole switch prior to the machine to facilitate installation and service operations.

The connecting cable shall hang in a gentle curve.

When connecting to a terminal block, the connection cable shell must be stripped 10-11 mm. The cable area must be at least 0.5 mm² and no more than 4 mm² (AWG12/AWG20). The terminal block used is a spring loaded cage clamp.

For AU/NZ: Fixed wiring is in accordance with AS/NZS 3000.

8.2 Electrical connections

WB6-13

Electrical connections					
Heating alternative	Main voltage	Hz	Heating power kW	Total power kW	Recommended fuse A
Electric heated	200V 3~	50/60	9.0	9.3	35
	220-240V 1~	50/60	10.9-13.0	11.2-13.2	63
	220-240V 3~	50/60	10.9-13.0	11.2-13.2	35
	380-415V 3~	50/60	4.0-4.8	4.3-5.0	10
	380-415V 3~	50/60	10.9-12.9	11.1-13.2	20
	440/480V 3~	60	13.0	13.3	20
Non heated/Steam heated	200V 3~	50/60	¹	1.3	10

1. Total power and recommended fuse does not depend on the heating power in those cases.

WB6-18

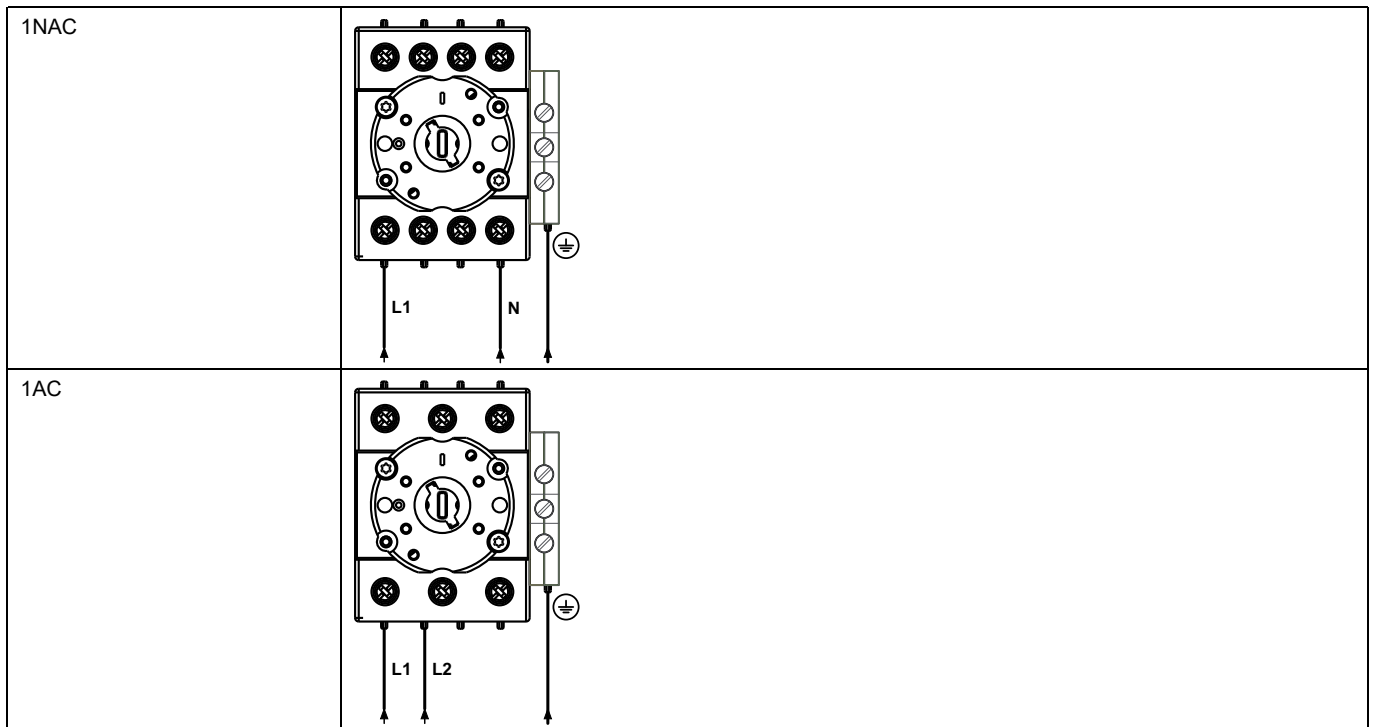
Electrical connections					
Heating alternative	Main voltage	Hz	Heating power kW	Total power kW	Recommended fuse A
Electric heated	200V 3~	50/60	12.5	12.9	50
	220-240V 3~	50/60	9.1-10.8	9.4-11.1	35
	220-240V 3~	50/60	15.1-18.0	15.5-18.3	50
	380-415V 3~	50/60	9.0-10.8	9.4-11.1	20
	380-415V 3~	50/60	15.0-17.9	15.4-18.3	35
	440/480V 3~	60	18.0	18.4	25
Non heated/Steam heated	200V 3~	50/60	¹	2.4	10

1. Total power and recommended fuse does not depend on the heating power in those cases.

8.3 Machine connection

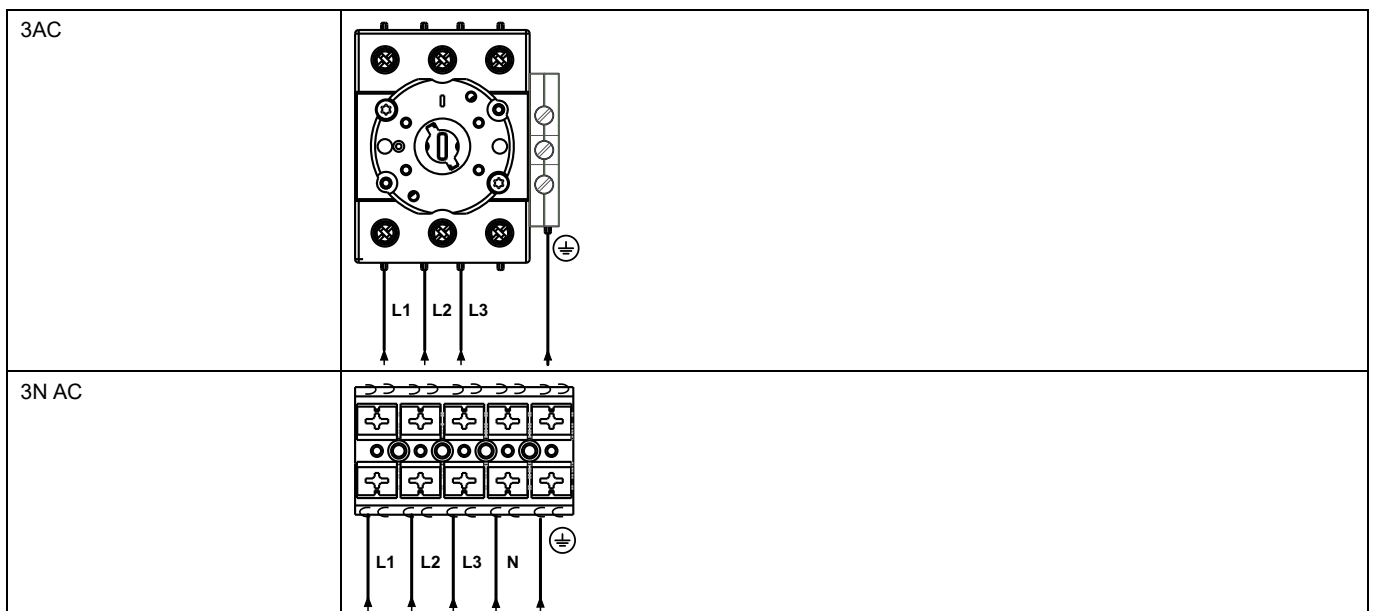
8.3.1 Single-phase connection

Connect the earth and other two wires as shown.



8.3.2 Three-phase connection

Connect the earth, neutral and phase wires as shown.



8.4 Functions for I/O-cards

The electrical schematic can be one of the following:

8.4.1 Outputs for detergent signals and inputs for pause signals, "empty" signal (2D)

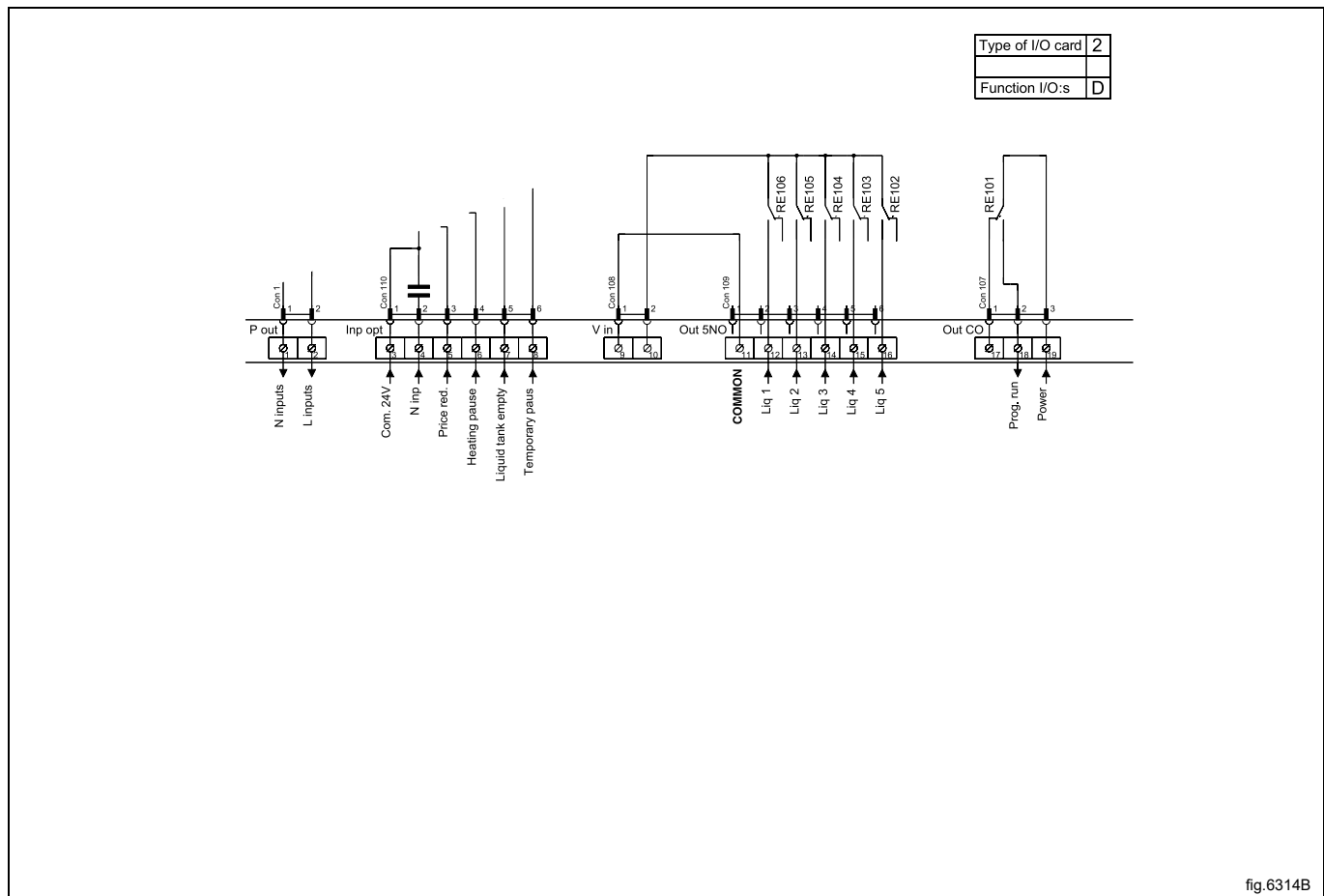


fig.6314B

9 Steam connection

Inlet pipes connected to the machine must be equipped with a manual shut-off valve to facilitate installation and servicing.

The connection hose must be of type ISO/1307- 1983 or equivalent.

Connection size at filter:DN 15 (BSP 1/2").

Demount the top panel (A).

Demount the casing (B).

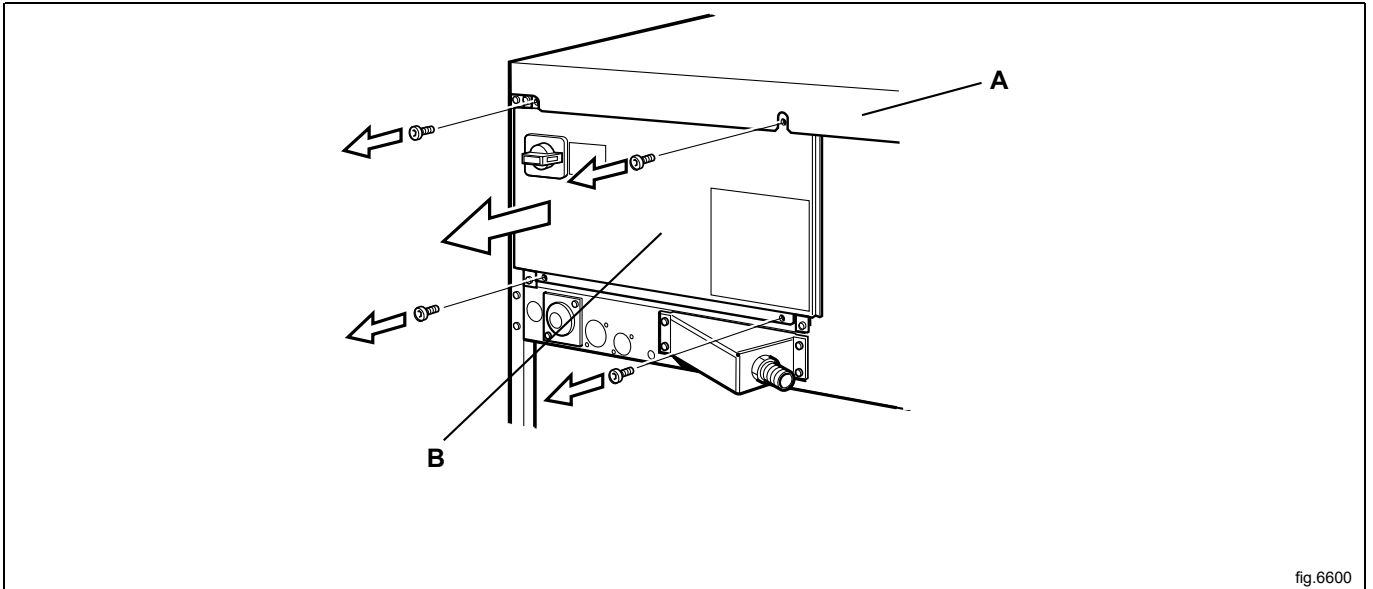


fig.6600

Mount the nipple to the steam valve.

Mount the steam valve on the machine.

Mount nipple, strainer and elbow. Note the direction of the strainer.

Mount steam hose to the elbow.

Check that there are no sharp angles or bends on the connected steam hose.

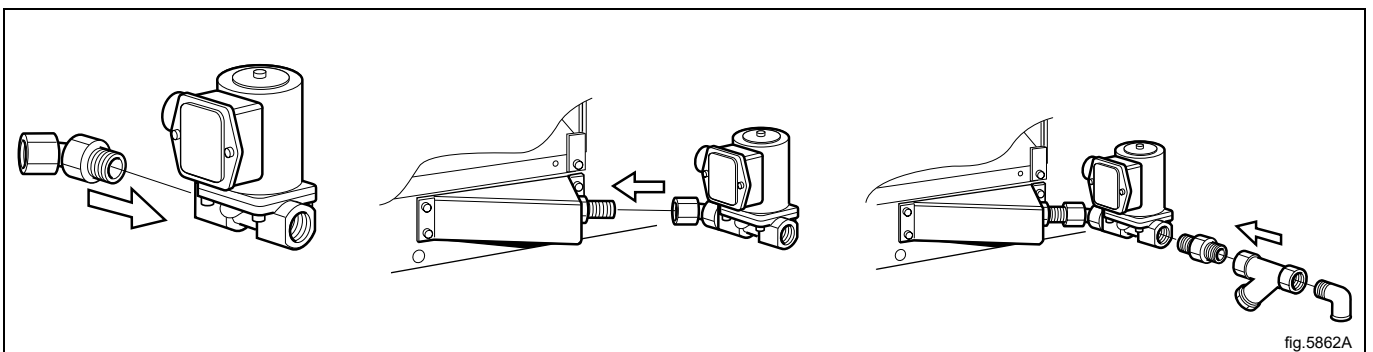


fig.5862A

Mount the hose with wires between steam valve and machine.

Connect wires in the steam valve.

Connect ground cable to the terminal ground connection.

Connect the "HEAT" cable connector to the "HEAT" terminal on the I/O board.

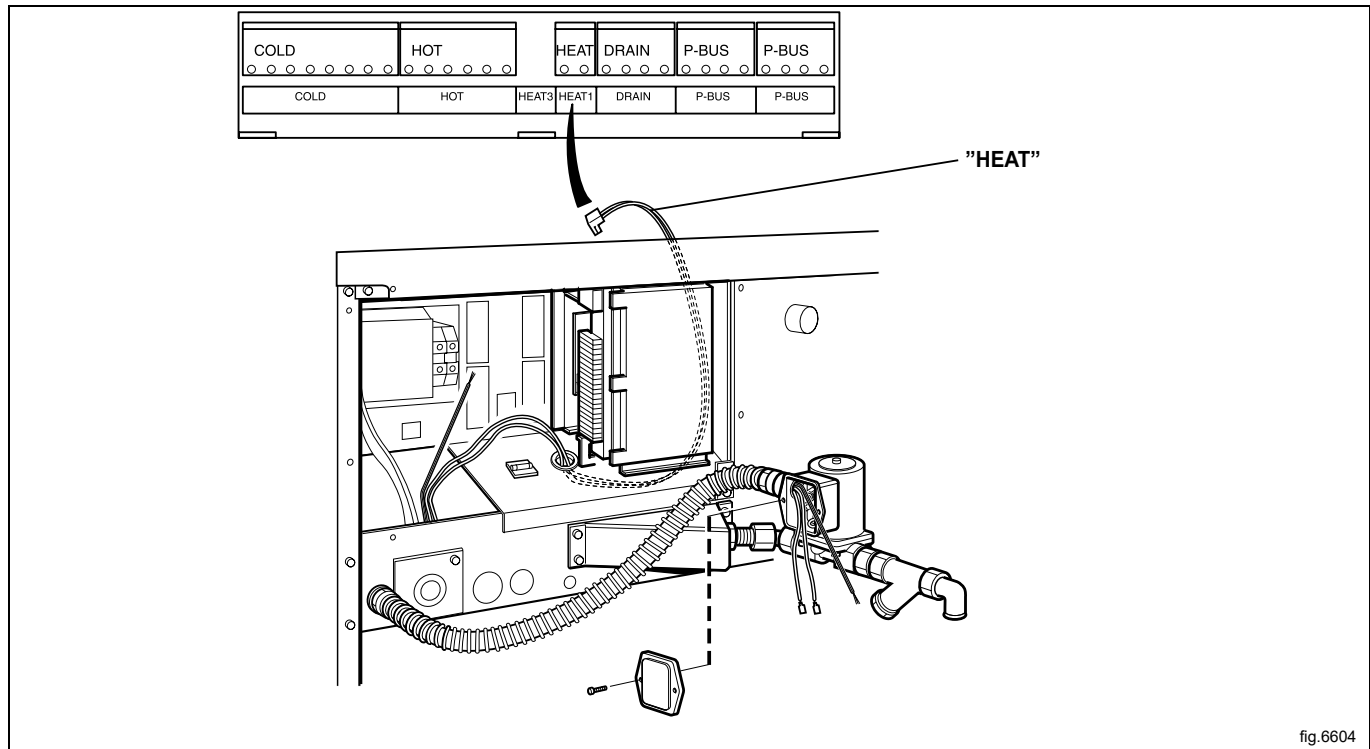


fig.6604

Steam pressure required:

- minimum: 50 kPa (0.5 kp/cm²)
- maximum: 800 kPa (8 kp/cm²)
- recommended: 600 kPa (6 kp/cm²)

Note!

A steam heated machine is only intended to use clean steam.

10 At first power up

When the installation is complete and the power is connected for the first time you will be forced to make the following settings. When one setting is ready you will automatically enter the next one.

- Select language
- Set time and date
- Activate/deactivate the service alarm

For more information about the following settings please refer to the Programming and configuration manual.

10.1 Select language

Select language from the list on the display.

This will be the language that all display messages, program names etc will be presented in.

10.2 Set time and date

Select **YES** and press the control knob to get to the menu **TIME/DATE**.

Activate the **SET TIME** menu and set the correct time.

Save the settings.

Activate the **SET DATE** menu and set the correct date. Start by setting the year.

- Set the year. Exit to continue with a long press on the control knob.
- Set the month. Exit to continue with a long press on the control knob.
- Set the day. Exit with a long press on the control knob and then save with a long press on the control knob.

Exit the menu when ready.

11 Function check



May only be carried out by qualified personnel.



A function check must be made when the installation is finished and before the machine can be ready to be used.

Open the manual water valves.

Start a program.

- Close the two doors.
- Check that the drum rotates normally and that there are no unusual noises.
- Check that there are no leaks in water supply/drain connections.
- Check that water passes through the detergent container.
- Check that the doors are locked during the program.
- Check that the unloading door cannot open until the program has finished and that the loading door remains locked until the unloading door has been opened and then closed again.

Ready to use

If all tests are OK the machine is now ready to be used.

If some of the tests failed, or deficiencies or errors are detected, please contact your local service organisation or dealer.

12 Disposal information

12.1 Disposal of appliance at end of life

Before disposing of the machine, make sure to carefully check its physical condition, and in particular any parts of the structure that can give or break during scrapping.

The machine's parts must be disposed of in a differentiated way, according to their different characteristics (e.g. metals, oils, greases, plastic, rubber, etc.).

Different regulations are in force in the various countries, therefore comply with the provisions of the laws and competent bodies in the country where scrapping takes place.

In general, the appliance must be taken to a specialised collection/scrapping centre.

Dismantle the appliance, grouping the components according to their chemical characteristics, remembering that the compressor contains lubricant oil and refrigerant fluid which can be recycled, and that the refrigerator and heat pump components are special waste assimilable with urban waste.



The symbol on the product indicates that this product should not be treated as domestic waste, but must be correctly disposed of in order to prevent any negative consequences for the environment and human health. For further information on the recycling of this product, contact the local dealer or agent, the Customer Care service or the local body responsible for waste disposal.



Note!

When scrapping the machine, any marking, this manual and other documents concerning the appliance must be destroyed.

12.2 Disposal of packing

The packing must be disposed of in compliance with the current regulations in the country where the appliance is used. All the packing materials are environmentally friendly.

They can be safely kept, recycled or burned in an appropriate waste incineration plant. Recyclable plastic parts are marked as following examples.

	Polyethylene: <ul style="list-style-type: none"> • Outer wrapping • Instructions bag
	Polypropylene: <ul style="list-style-type: none"> • Straps
	Polystyrene foam: <ul style="list-style-type: none"> • Corner protectors



Electrolux Professional AB
341 80 Ljungby, Sweden
www.electroluxprofessional.com